

Betriebsanleitung
Operating Instructions
Instructions de service
Istruzioni d'uso
Handleiding
Instrucciones para el manejo
Manual de instruções
Naudojimosi instrukcija
Kasutusjuhend
Lietošanas instrukcija
Οδηγίες χρήσης
取扱説明書
사용설명서

Driftsinstruks
Driftsinstruktioner
Käyttöohje
Driftsvejledning
Instrukcja obsługi
Kezelési útmutató
Návod k obsluze
Navodilo za uporabo
Návod na obsluhu
Ei Kitabi
Инструкция по эксплуатации
使用说明书

DVT 3.80

2006/42/EG



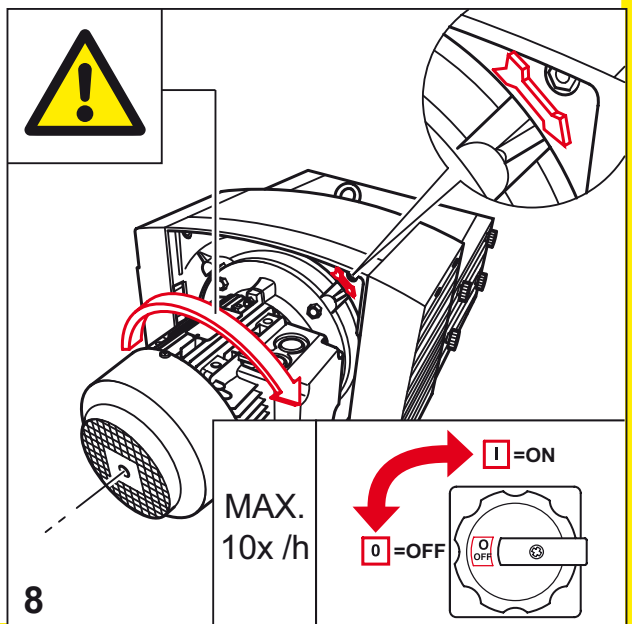
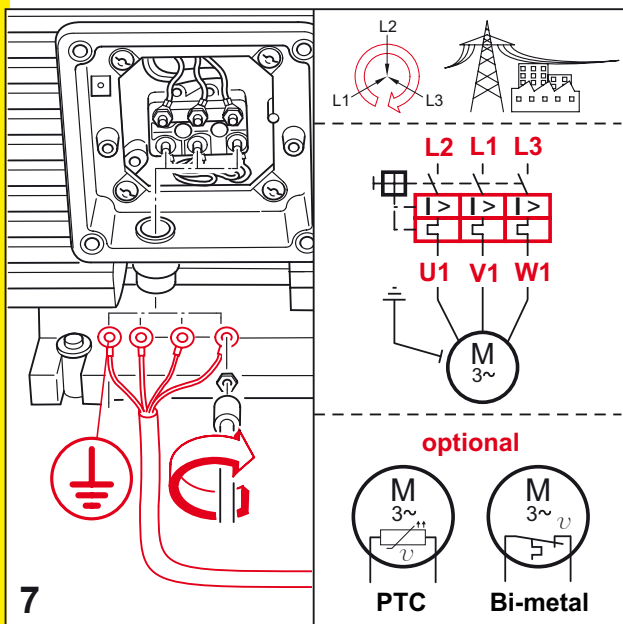
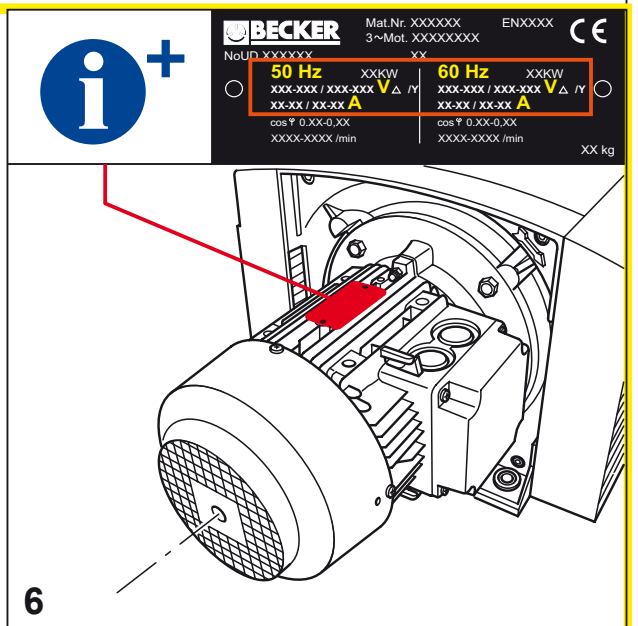
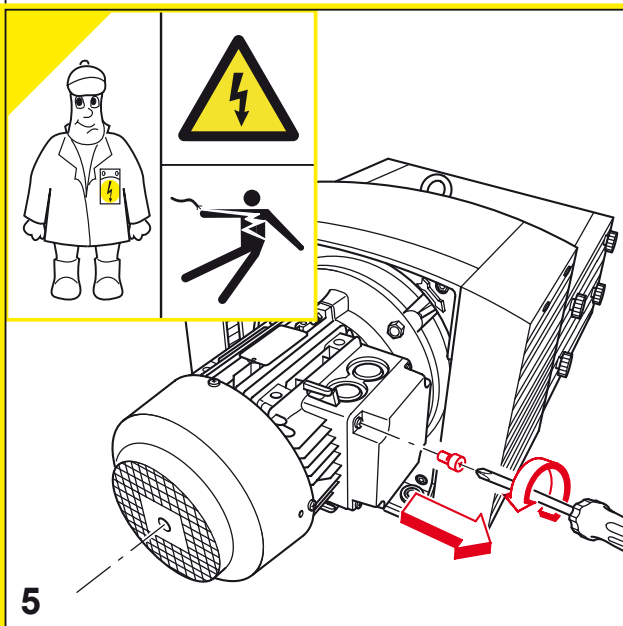
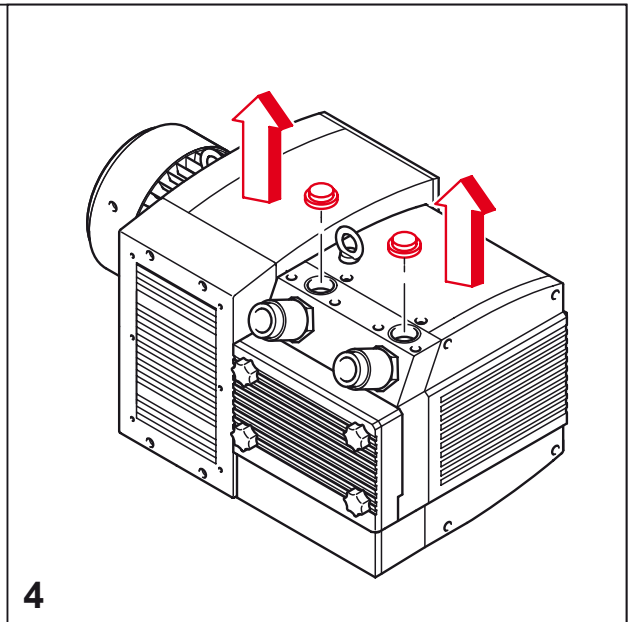
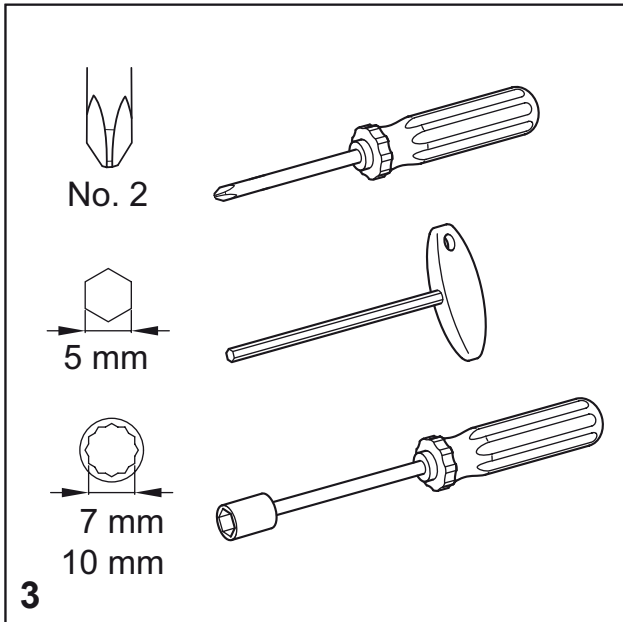
DIN EN ISO 14001:2005

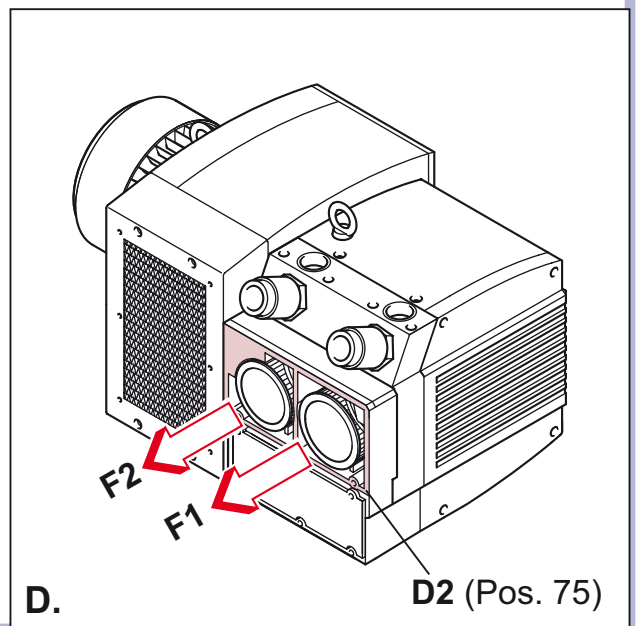
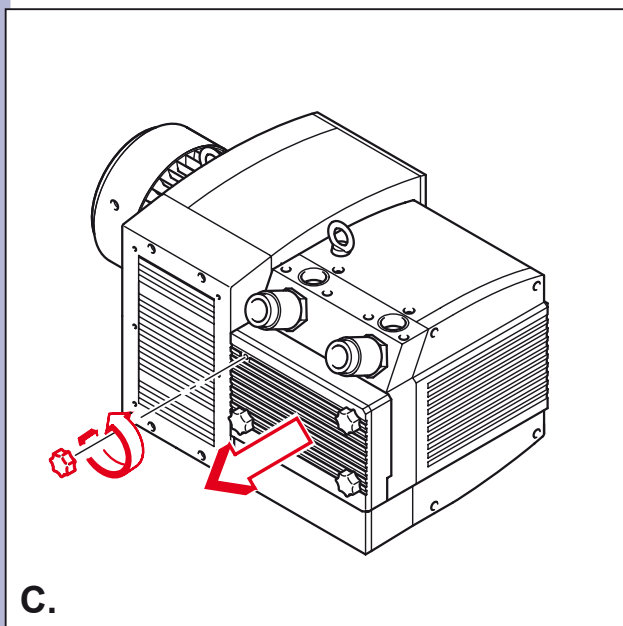
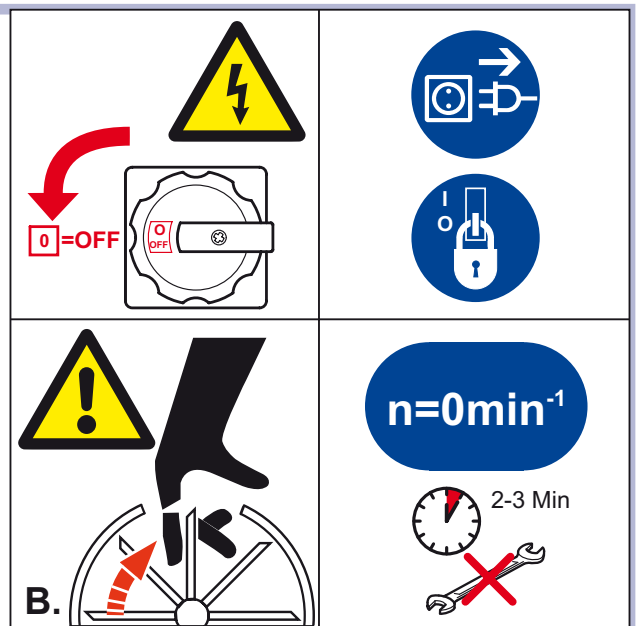
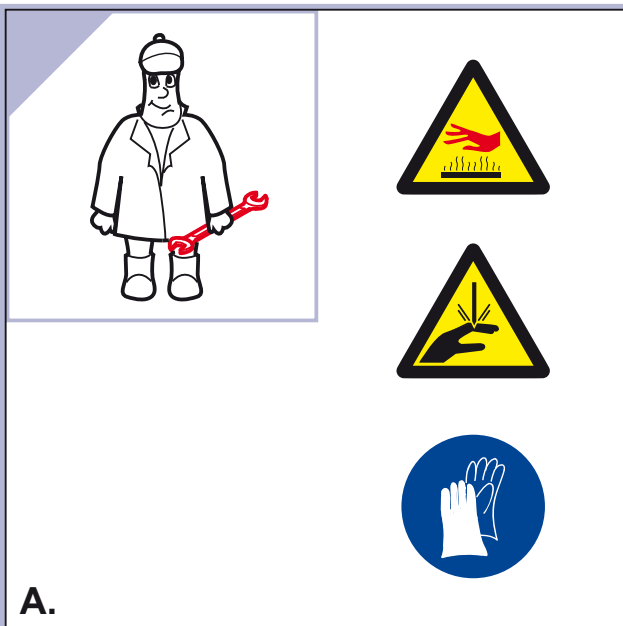
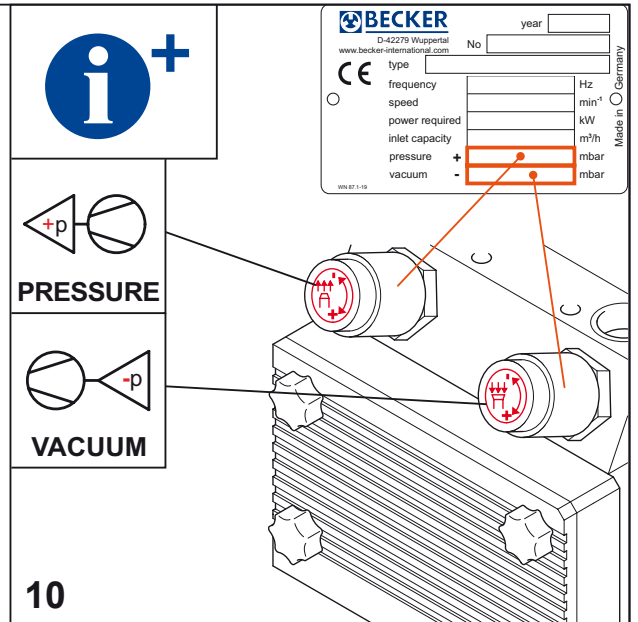
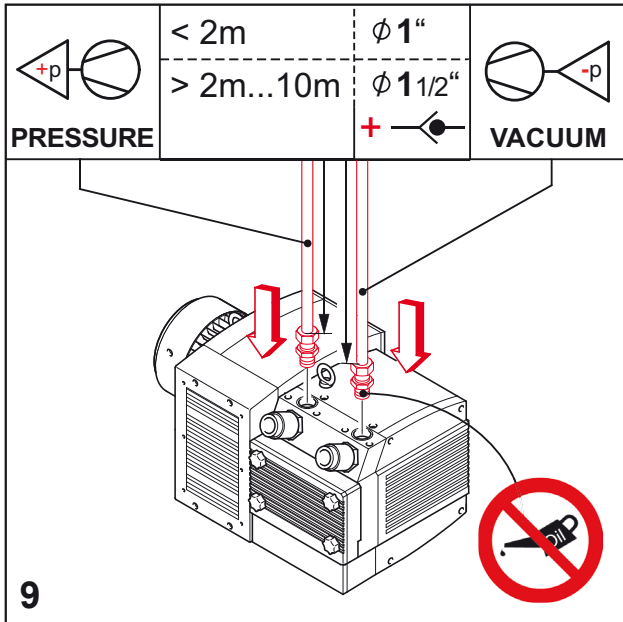
DIN EN ISO 9001
001929 QM

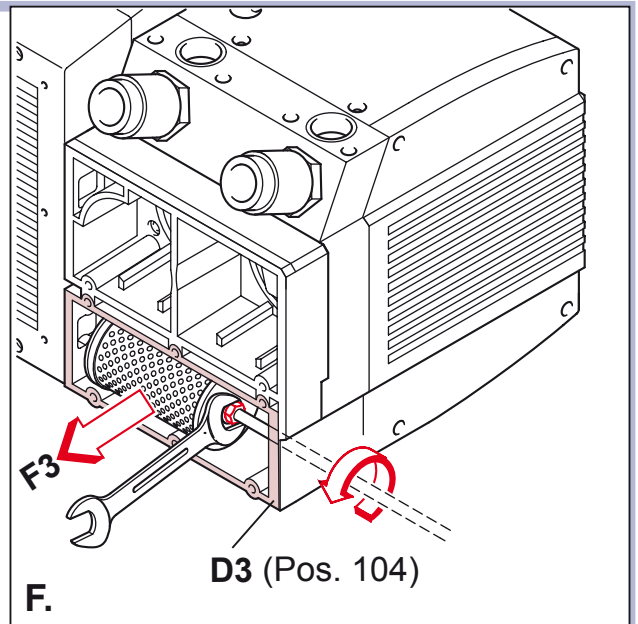
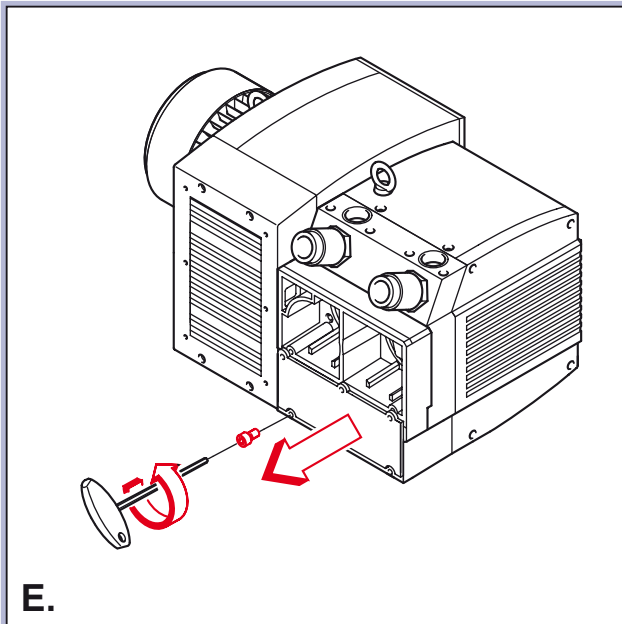
| | | | | | |
|-----------------|--|--|--|--|-------------------|
| | | | MAX. PRESSURE MAX. VACUUM | | mbar |
| | | | MAX. | | m ³ /h |
| | | | AIR | | |
| DIN EN ISO 3744 | | | $L_{pA} = 76 \text{ dB(A)} - 50\text{Hz}$ $L_{pA} = 77 \text{ dB(A)} - 60\text{Hz}$ $K_{pA} = 3 \text{ dB(A)}$ | | |

| | | | | | | | |
|-----------------|--|--|--------------------------|--------------------------------|---|-----------------|------------------|
| | | | <p>72 kg 159 lbs</p> | $A > 100\text{mm}$ $A > 4"$ | <p>$> 5^\circ\text{C}/41^\circ\text{F}$ $< 45^\circ\text{C}/113^\circ\text{F}$</p> | <p>max. 90%</p> | <p>max. 800m</p> |
| <p>1</p> | | | | <p>2</p> | | | |

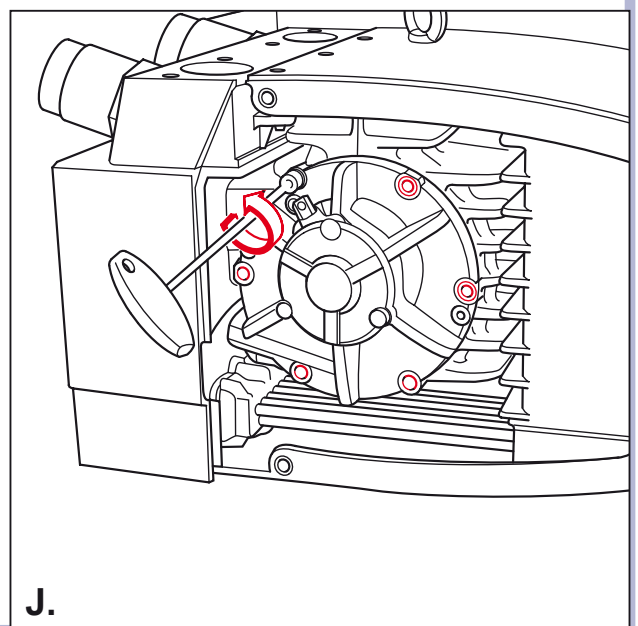
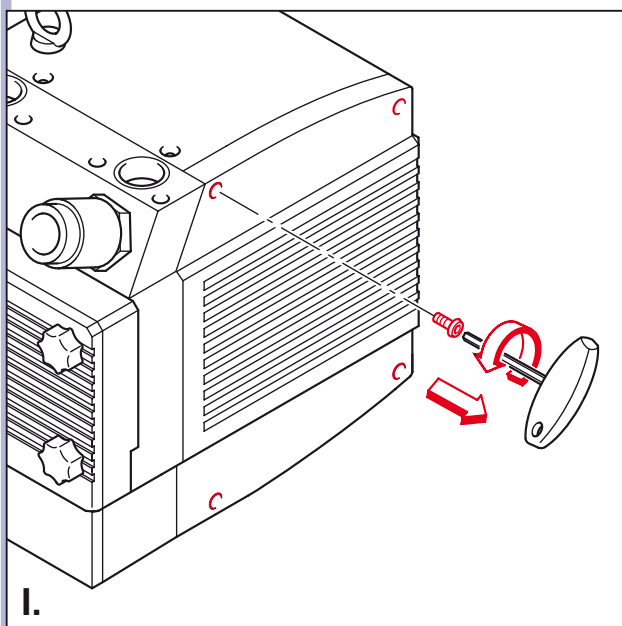
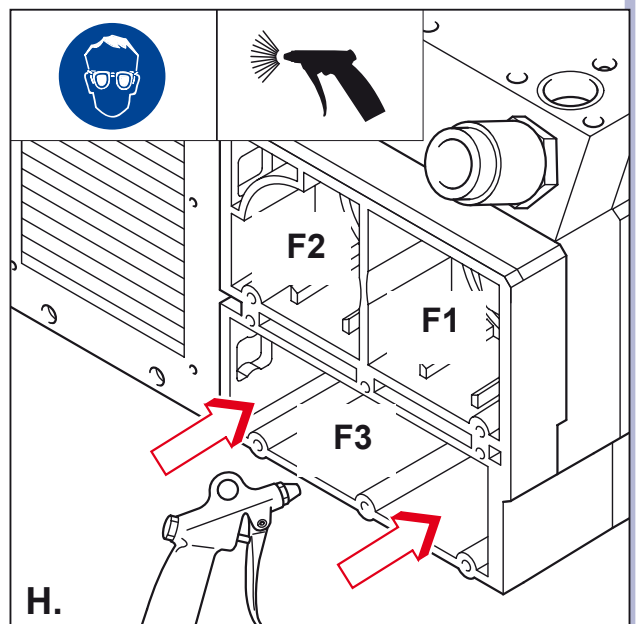
28100021103 01/10

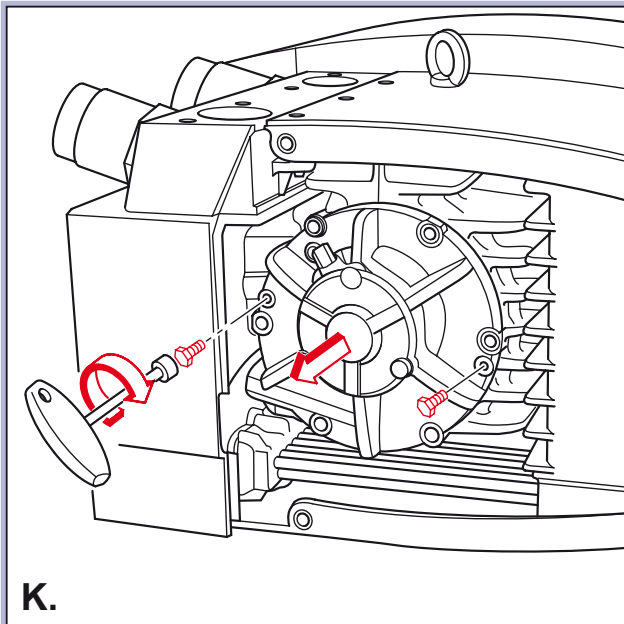






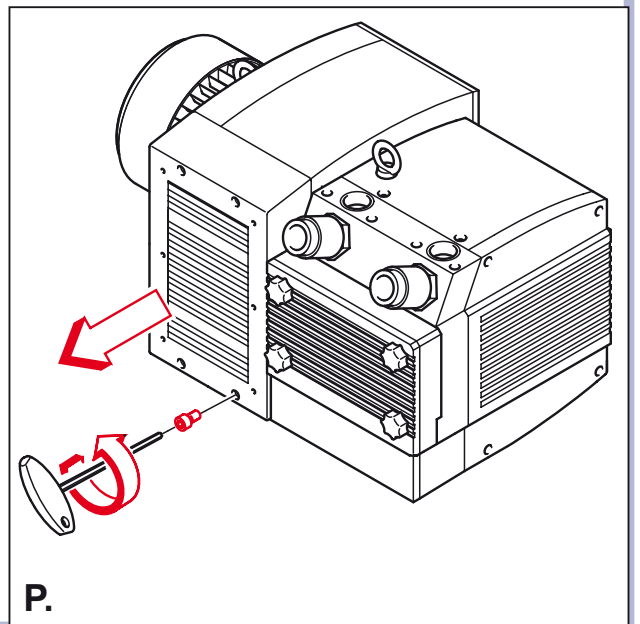
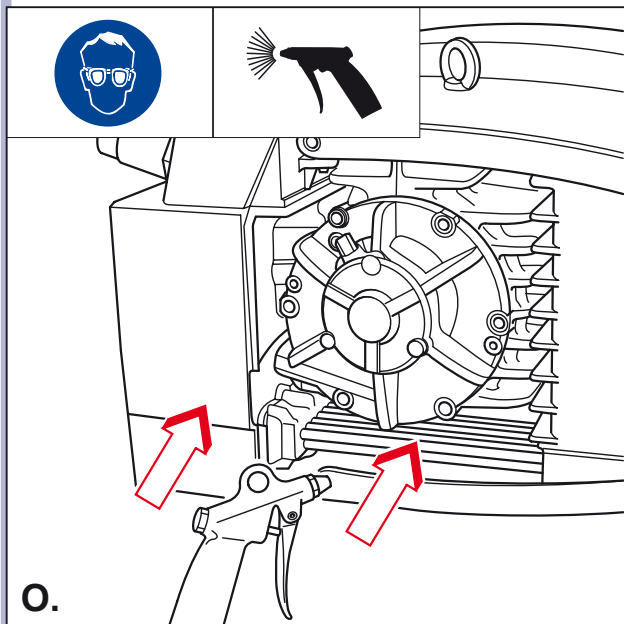
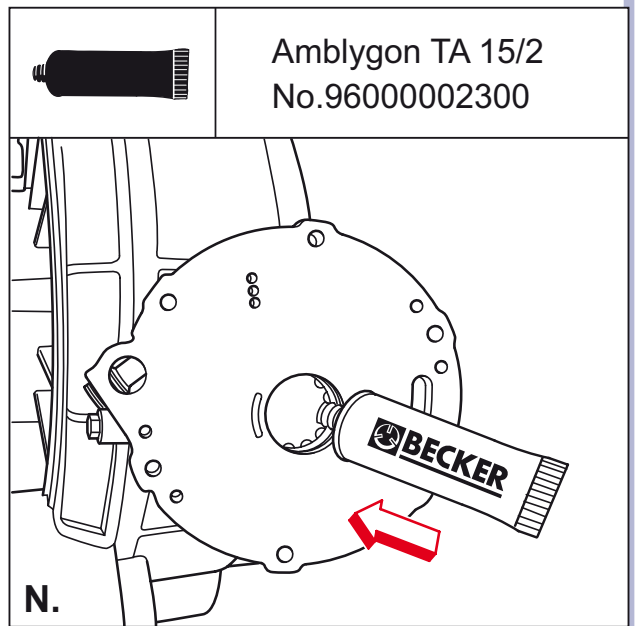
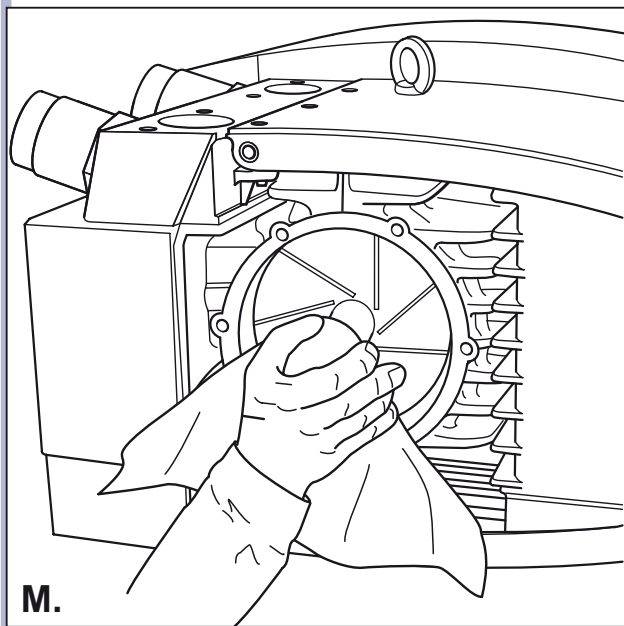
| | | |
|----------------------------------|---|----------------------------------|
| | | |
| <p>F1 No.: 909507</p> | <p>F2 No.: 909506</p> | <p>F3 No.: 909510</p> |
| <p>D2 D3</p> | <p>Satz / Kit Pos.: 17, 20, 24, 62, 75, 76, 85, 86, 104, 122, 125, 126, 146 No.: 549000 21100</p> | |

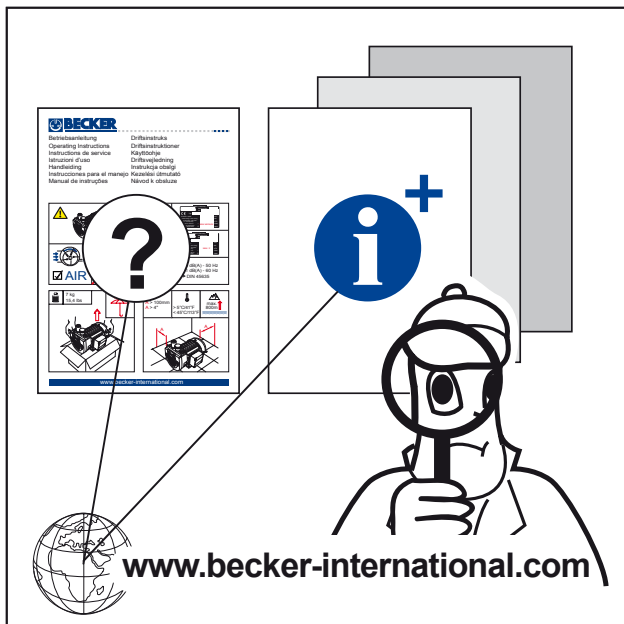
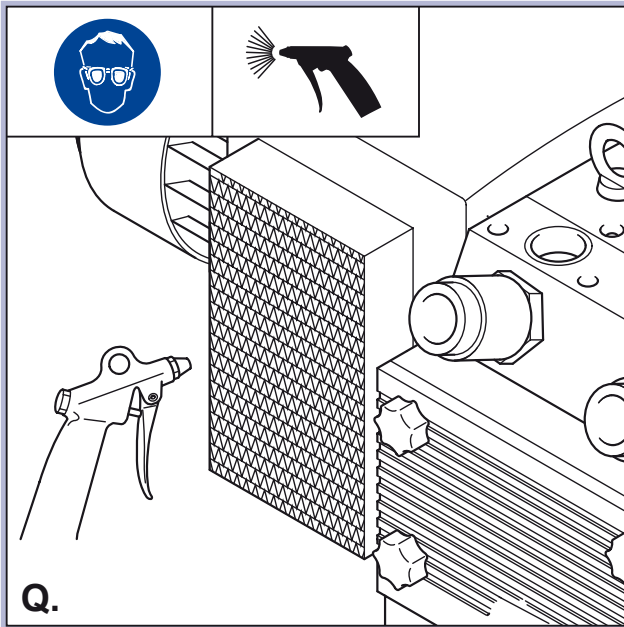




| | |
|--|---|
| | |
| 3000 h | |
| | <p>$A_{MIN} > 26\text{mm}$</p> <p>$A_{MIN} < 26\text{mm}$</p> |
| <p>DVT 3.80 → No. 9013300007 (SET)</p> | |

L.





Gebr. Becker GmbH
 Hölker Feld 29-31
 D-42279 Wuppertal

info@becker-international.com

(D) Service:
 Tel: +49 (0)202 697-171
 Fax: +49 (0)202 64 44 74